

# TAD1

series



---

## Product Segments

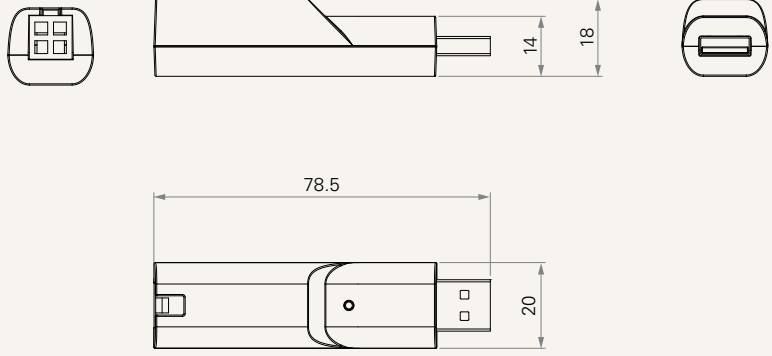
- **Industrial Motion**

---

The TAD1 is a dongle adapter designed for industrial applications. This adapter connects with industrial actuators (with MCU) through the PGMA and PGVN software on the computers.

**Drawing**

Standard Dimensions  
(mm)



TAD1

Version: 20210812-B

---

<b>T-Smart Model</b>	M = MA	V = VN	D = TID
----------------------	--------	--------	---------

---

<b>Connecting Wire Length (m)</b>	1 = Straight, 1
-----------------------------------	-----------------

---

## Terms of Use

The user is responsible for determining the suitability of TiMOTION products for a specific application. TiMOTION products are subject to change without prior notice.