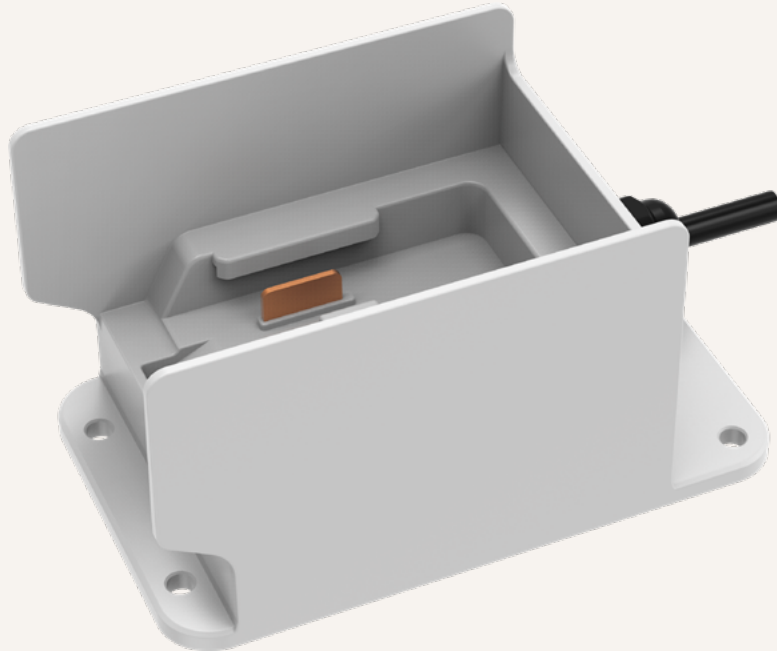


# TSB2

series



---

## Product Segments

- **Industrial Motion**

---

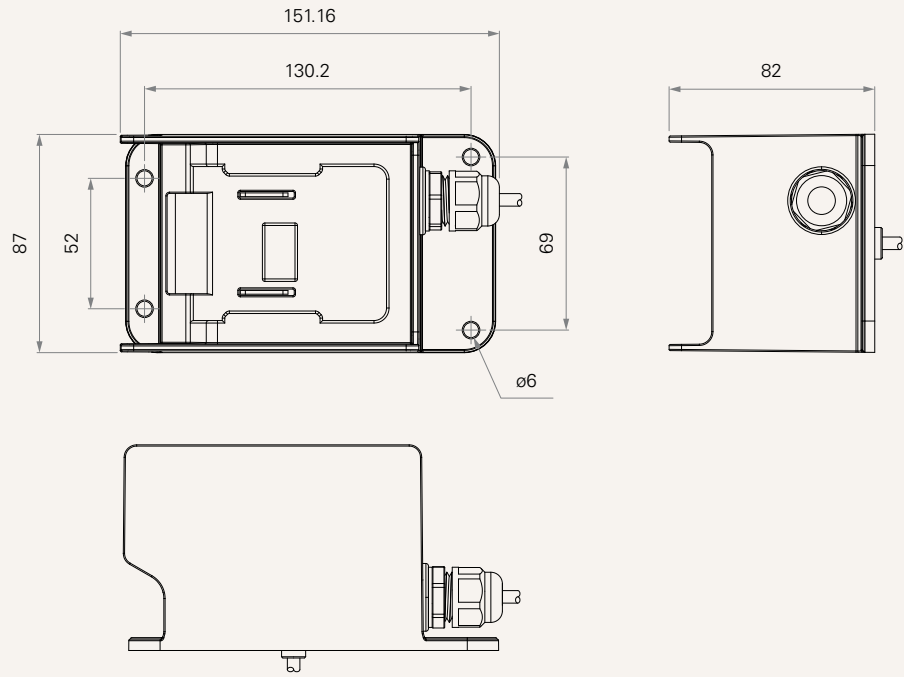
TiMOTION's TSB2 is a battery cradle compatible with an 18V Li-ion rechargeable battery. It can supply battery power to the actuator while the power indicator reveals the battery level.

### General Features

IP66  
LED indication

**Drawing**

Standard Dimensions  
(mm)



## TSB2

Version: 20210622-A

<b>Voltage</b>	1 = 18V DC
<b>Color</b>	1 = Black, standard      2 = Pantone Cool Grey 9C
<b>IP Rating</b>	1 = Without      2 = IP66
<b>Cable Outlet &amp; Length - DC Output</b>	1 = 4* .250 blade connector; cable: straight, 1500mm
<b>Accessory - DC Output</b>	1 = Rocker switch assembly; cable: straight, 1500mm
<b>Cable Outlet &amp; Length - I/O Port</b>	1 = Socket with wires; cable: straight, 1500mm
<b>Accessory - I/O Port</b>	1 = Pushbutton switch, without cable

### Terms of Use

The user is responsible for determining the suitability of TiMOTION products for a specific application. TiMOTION products are subject to change without prior notice.