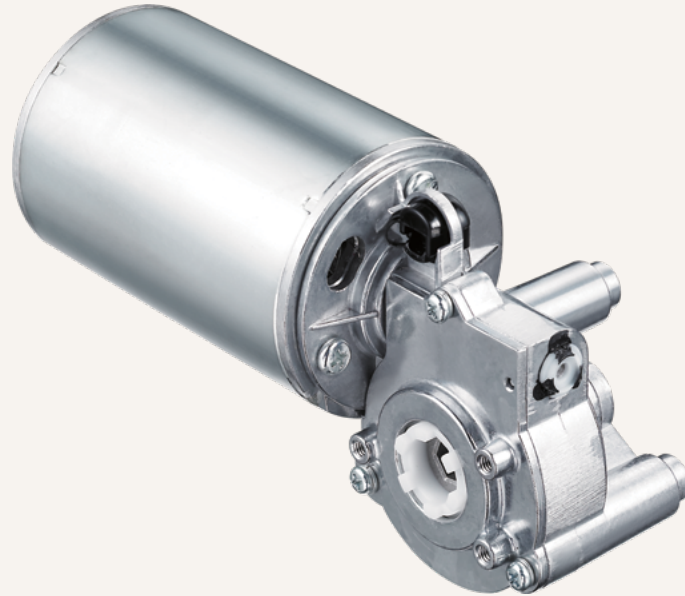


# TGM2

series



## Product Segments

- **Ergo Motion**
- **Industrial Motion**

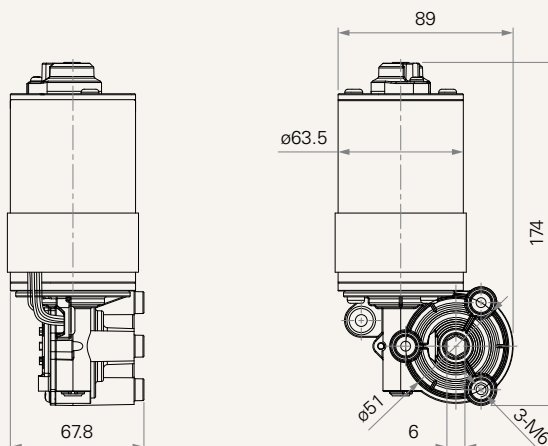
The TGM2 series is TiMOTION's most powerful gear motor. It was designed primarily for ergonomic applications like height adjustable workstations and tables, but can be used in many other applications. This economical product allows for fast, smooth and quiet adjustment of built-in spindles through the use of external limit switches. Shafting allows for the mechanical synchronization of dual spindles.

### General Features

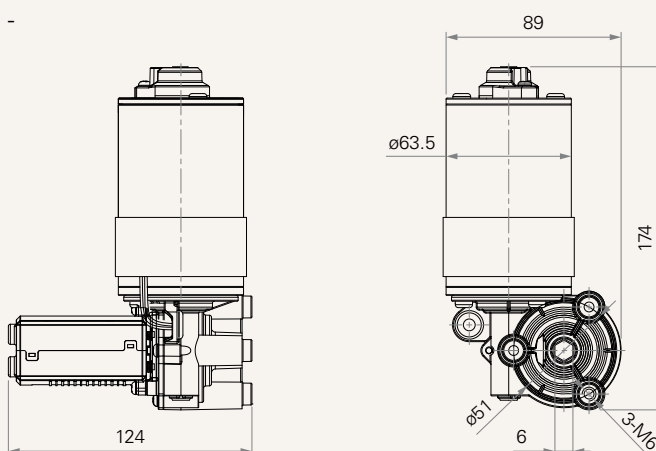
Max. rated torque	18.3Nm
Max. speed at max. load	51RPM (±5%)
Max. speed at no load	108RPM (±5%)
Options	Hall sensors
Voltage	12V DC or 24V DC ( thermal protector)
Hexagon hole for the shaft by 9mm diameter	
Low noise	

### Drawing

Standard Dimensions -  
Without TES2  
(mm)



Standard Dimensions -  
With TES2  
(mm)



### Load and Speed

CODE	Torque Load (Nm)	Self Locking Force (Nm)	Typical Current (A)		Typical Speed (RPM, ±5%)		Hall Sensor Output		
			No Load	With Load	No Load	With Load	Magnet Poles	Period (ms)	
			32V DC	24V DC	32V DC	24V DC		No Load 32V DC	With Load 24V DC
<b>Motor Speed (3800RPM)</b>									
<b>A</b>	18.3	11	1.5	12.0	108	51	2	11.0-12.3	24.8-27.5
<b>Motor Speed (2200RPM)</b>									
<b>B</b>	12.7	11	1.0	4.3	60	29	2	19.1-22.5	39.4-43.6

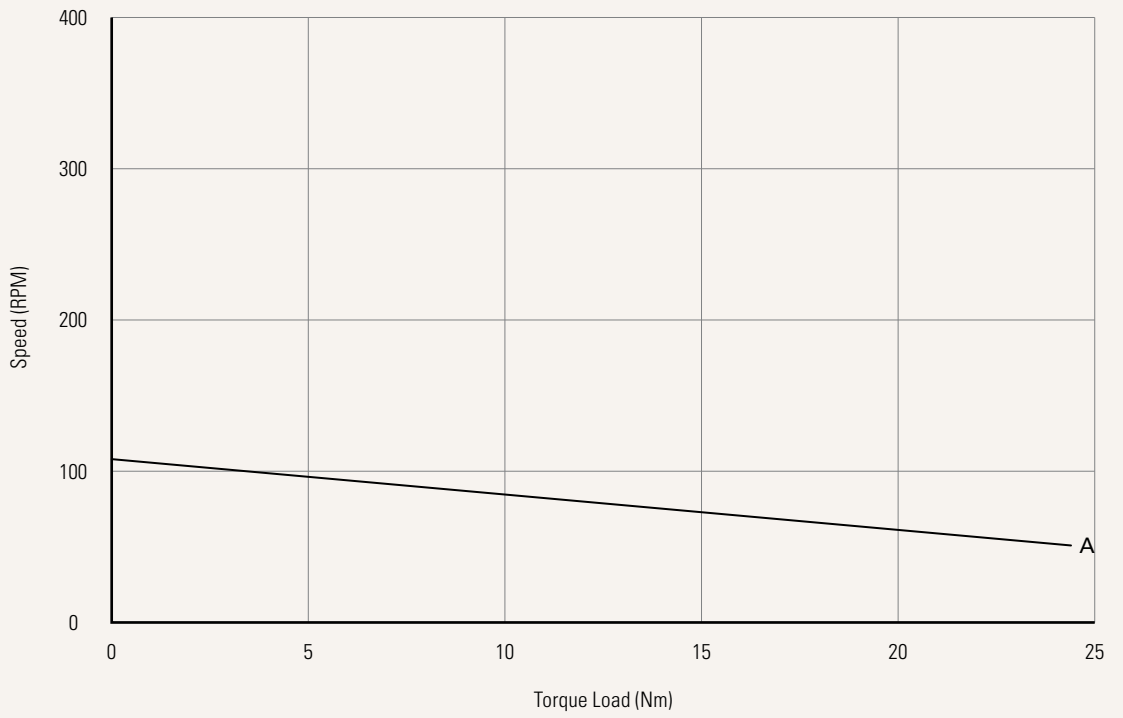
### Note

- 1 Please refer to the approved drawing for the final authentic value.
- 2 Operational temperature range at full performance: +5°C~+45°C
- 3 The current & speed in table and diagram are tested with TiMOTION control boxes, and there will be around 10% tolerance depending on different models of the control box. (Under no load condition, the voltage is around 32V DC. At rated load, the voltage output will be around 24V DC)

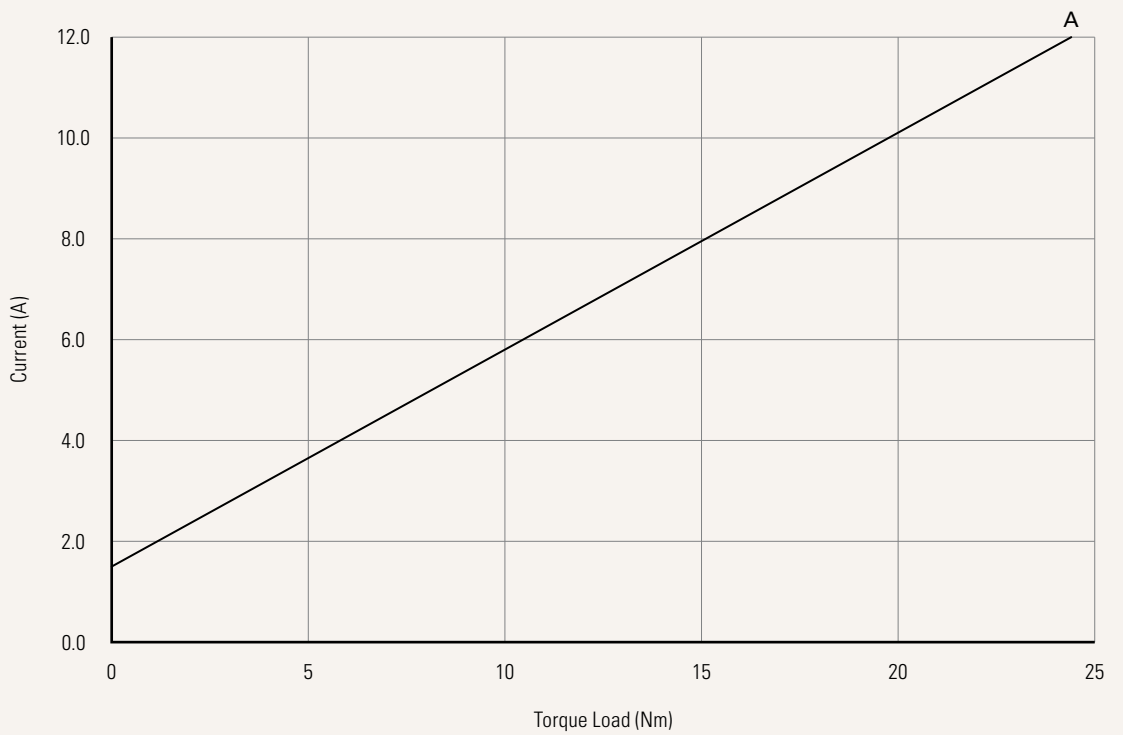
**Performance Data (24V DC Motor)**

Motor Speed (3800RPM)

Speed vs. Torque Load



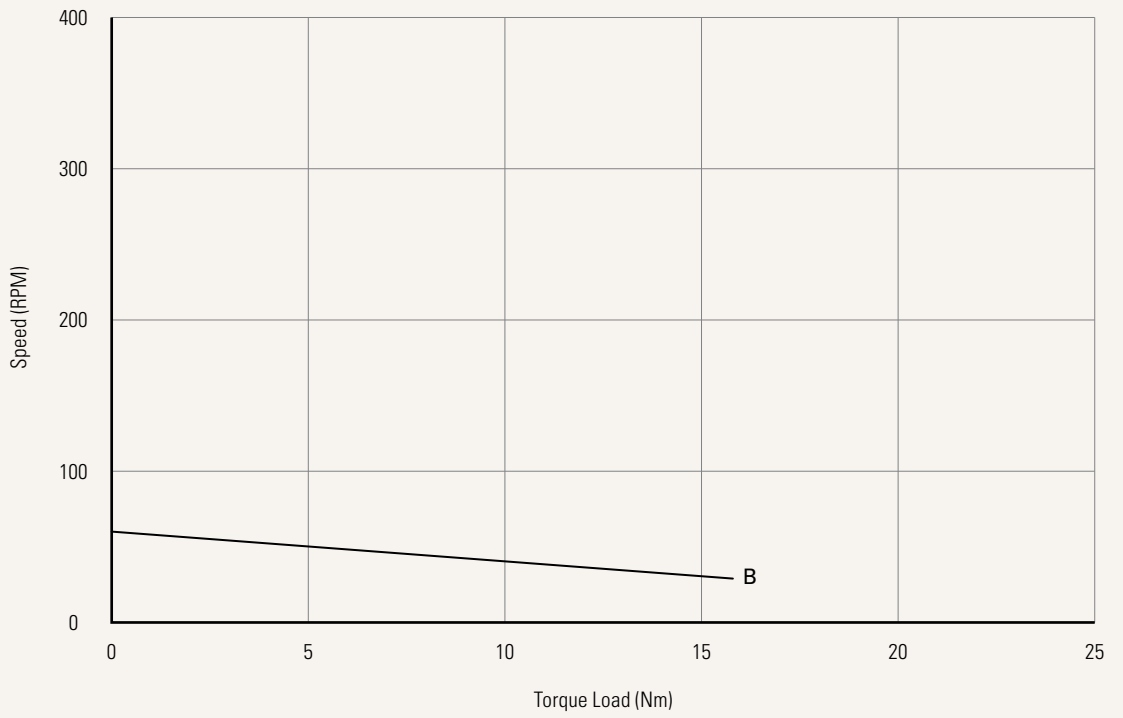
Current vs. Torque Load



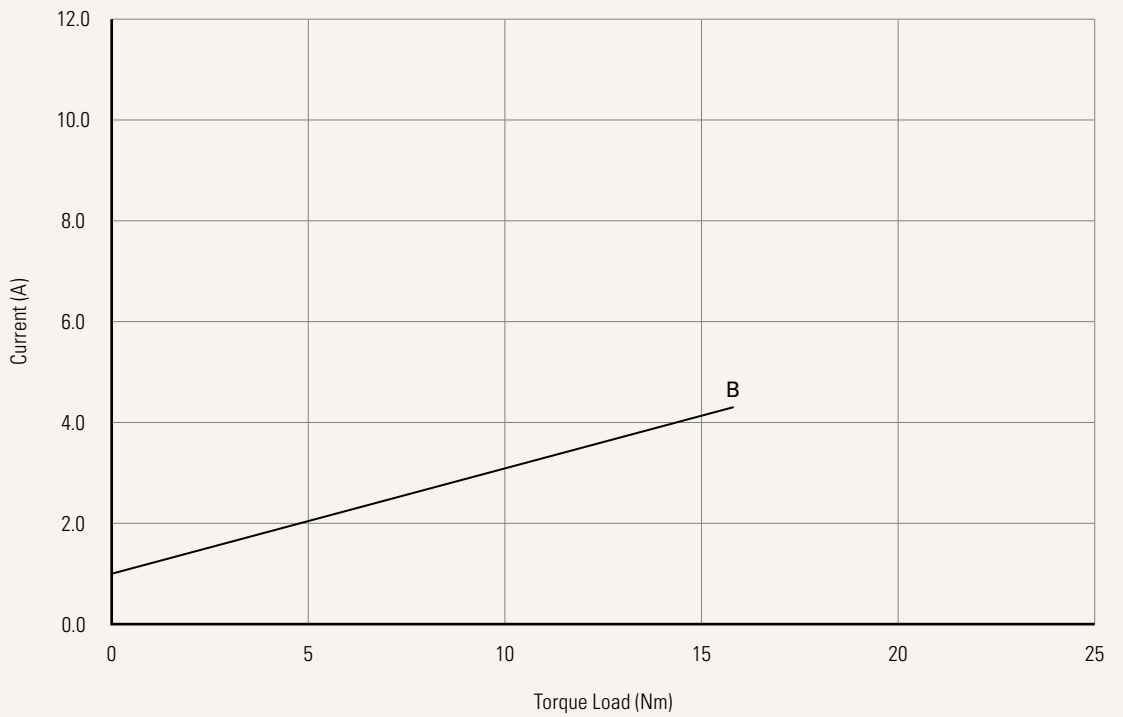
**Performance Data (24V DC Motor)**

Motor Speed (2200RPM)

Speed vs. Torque Load



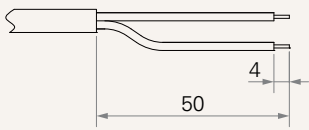
Current vs. Torque Load



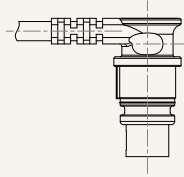
<b>Voltage</b>	1 = 12V DC	5 = 24V DC, thermal protector		
<b>Load and Speed</b>	<a href="#">See page 2</a>			
<b>Output Signal</b>	0 = Without	2 = Hall sensor*2		
<b>Brake</b>	0 = Without	1 = Motor brake		
<b>Plug</b> <a href="#">See page 6</a>	0 = Tinned leads	1 = DIN 6P, 90°	2 = Molex 8P	
<b>Cable Length (mm)</b>	0 = Straight, 1000	1 = Straight, 1500	2 = Straight, 2000	3 = Curly, 1000
<b>Output Torque (mm)</b> <a href="#">See page 6</a>	1 = Drive shaft hole (inner hexagon 9)		4 = Two sides drive shaft (Ø12, with Ø4.8 latch hole)	
	2 = One side drive shaft (Ø12, knurling)		5 = Drive shaft hole (inner hexagon 6)	
	3 = Two sides drive shaft (Ø12, knurling)			
<b>External Limit Switch (TES2)</b>	00 = Without			
	XX = Number of output rotations (between 13~17 & 25~35 rotations, factory preset)			

## Plug

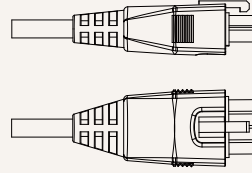
0 = Tinned leads



1 = DIN 6P, 90° plug

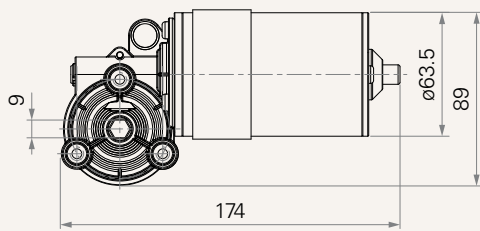


2 = MOLEX 8P, plug

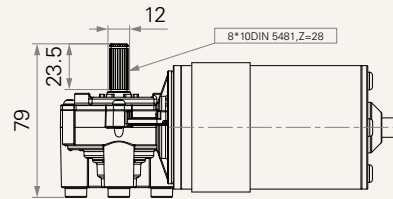


## Output Torque

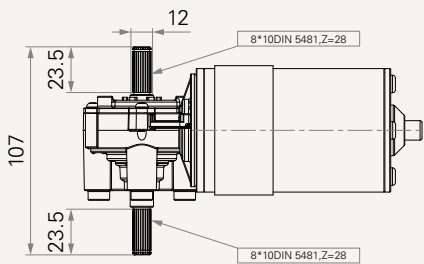
1 = Drive shaft hole (inner hexagon 9mm)



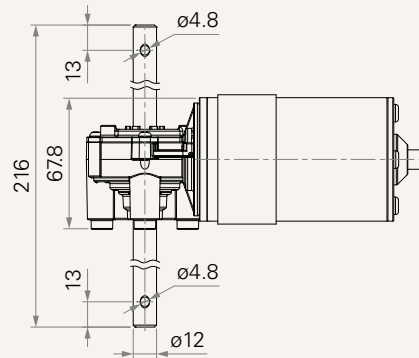
2 = One side drive shaft (Ø12mm, knurling)



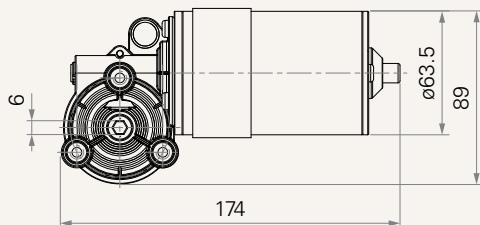
3 = Two sides drive shaft (Ø12mm, knurling)



4 = Two sides drive shaft (Ø12mm, with Ø4.8mm latch hole)



5 = Drive shaft hole (inner hexagon 6mm)



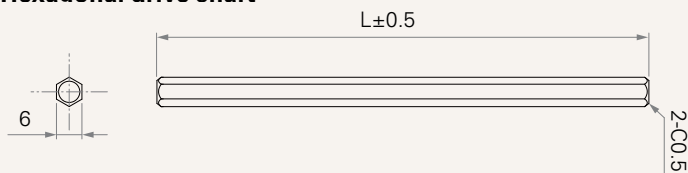
## TBS Series - the combination of TGM and TBS

TBS	Input Torque	TGM				
		TGM1	TGM2	TGM3	TGM4	TGM7
TBS1	#1	V	V	V	V	-
TBS2	#1	-	-	-	-	V
TBS3	#1	-	-	-	-	V
TBS4	#1	V	V	V	V	-
TBS5	#1	V	V	V	V	-
TBS9	#1	V	V	V	V	-
TBS10	#1	V	V	V	V	-

### Note

- 1 The combinations of TGM and TBS are marked as "v" on the above table.
- 2 When choosing the combination of TBS2 / 3 and TGM7, the hexagonal drive shaft is not required.
- 3 When choosing the combination of TBS1 / 4 / 5 / 9 / 10 and TGM1 / 3 / 4, the extra order of hexagonal drive shaft is needed.
- 4 Please refer to the table below for the serial numbers and the dimensions of the component.

### Hexagonal drive shaft



CODE	L (mm)
32709-0101-175-1	175
32709-0101-200-1	200
32709-0101-270-1	270
32709-0101-375-1	375
32709-0101-470-1	470
32709-0101-570-1	570

### Terms of Use

The user is responsible for determining the suitability of TiMOTION products for a specific application. TiMOTION products are subject to change without prior notice.