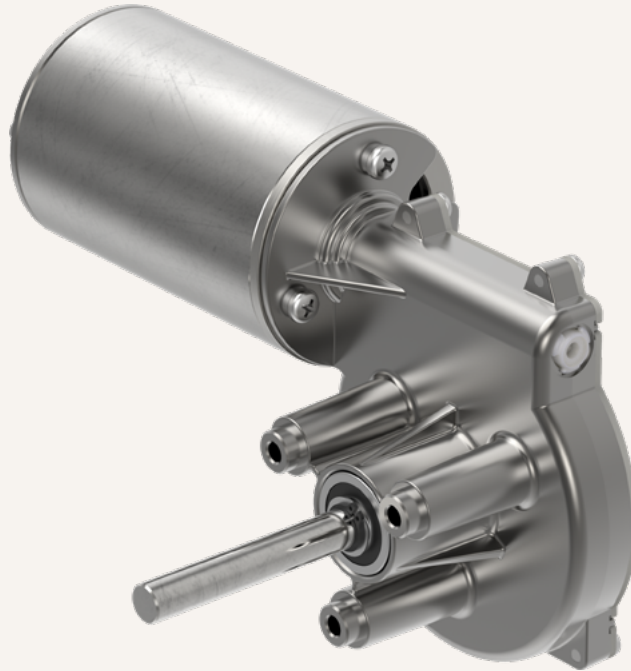


TIG1

series



Product Segments

- **Industrial Motion**

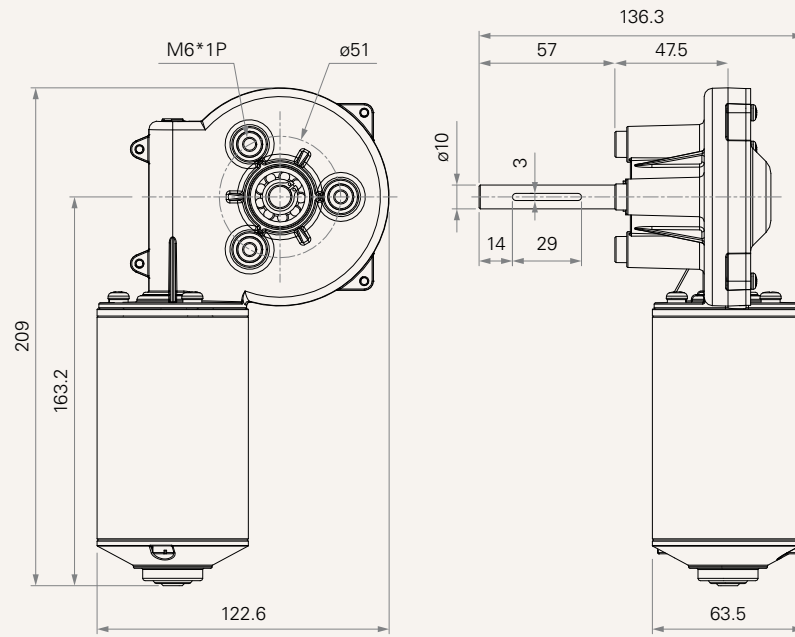
TiMOTION's TIG1 is a brushed DC gear motor using a bronze worm wheel. It is suitable for general industrial applications such as material handling and adapted automobiles.

General Features

Max. rated torque	60Nm
Max. speed at max. load	24RPM
Max. speed at no load	40RPM
Output signals	Hall sensor(s)
Voltage	12V DC (thermal cutoff)
Operational temperature range at full performance	+5°C~+45°C

Drawing

Standard Dimensions
(mm)



Load and Speed

CODE	Rated Voltage	No Load		Rated				Max.			
		Current (A)	RPM (RPM)	Torque (Nm)	Current (A)	RPM (RPM)	Duty cycle (%)	Torque (Nm)	Current (A)	RPM (RPM)	Duty cycle (%)
Motor Speed (3800RPM)											
B	12VDC	2.5	40	9	4.5	38	100%	60	19.5	24	10%

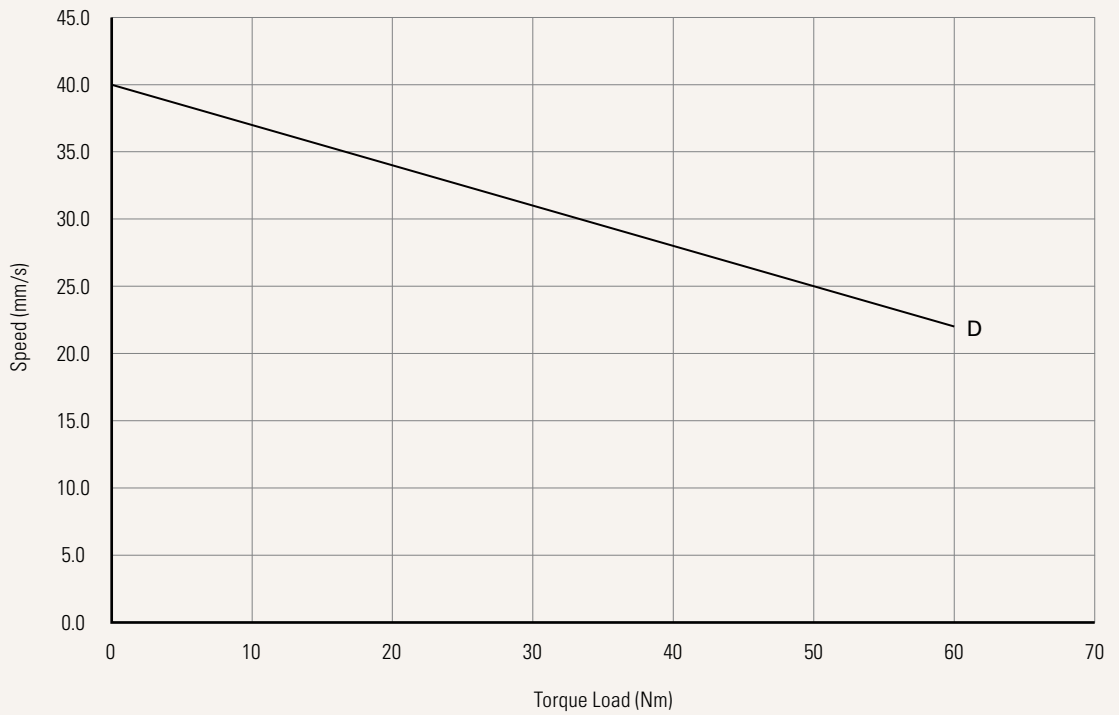
Note

- 1 Please refer to the approved drawing for the final authentic value.
- 2 Operational temperature range at full performance: +5°C~+45°C
- 3 The current & speed in table and diagram are tested with TiMOTION control boxes, and there will be around 10% tolerance depending on different models of the control box. (Under no load condition, the voltage is around 32V DC. At rated load, the voltage output will be around 24V DC)

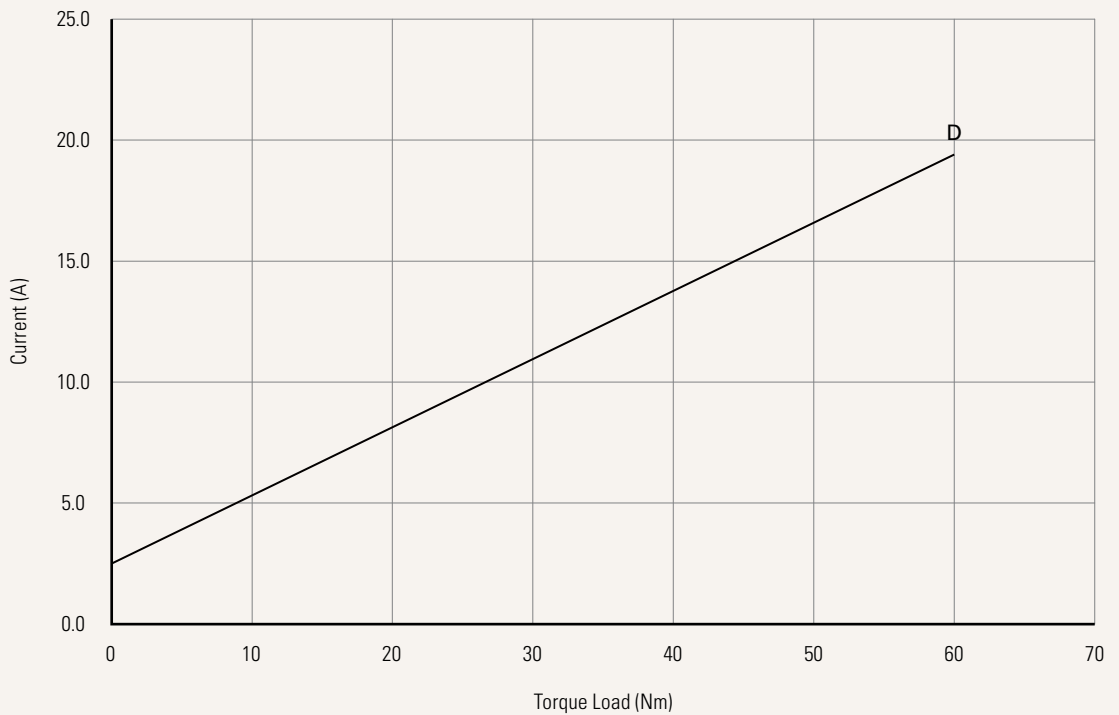
Performance Data (12V DC Motor)

Motor Speed (3800RPM)

Speed vs. Torque Load



Current vs. Torque Load



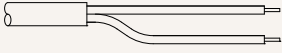
TIG1

Version: 20211220-B

Voltage	6 = 12V, thermal cutoff		
Torque & RPM	See page 3		
Brake	0 = Without		
Torque Output	K = Output shaft with key slot		
Position Feedback	0 = Without	1 = Hall sensor*1	2 = Hall sensor*2
Connecter	G = Tinned leads		
Cable Length (mm)	1 = Straight, 1000	2 = Straight, 2000	
Covering	0 = Without		
IP Rating	1 = Without		

Connector

G = Tinned leads



Output Signals

Wire Definitions		Wire Gauge (AWG)	Output Signal Code		
			0. Without	4. 1 Hall	5. 2 Hall
without T-Smart	Limit Switches Cut Off the Acuator	● Red 14	CW+	CW+	CW+
		● Black 14	CCW+	CCW+	CCW+
		● Red 26	-	+5V	+5V
		○ White 26	-	S1	S1
		● Blue 26	-	-	S2
		● Black 26	-	GND	GND

Terms of Use

The user is responsible for determining the suitability of TiMOTION products for a specific application. TiMOTION products are subject to change without prior notice.